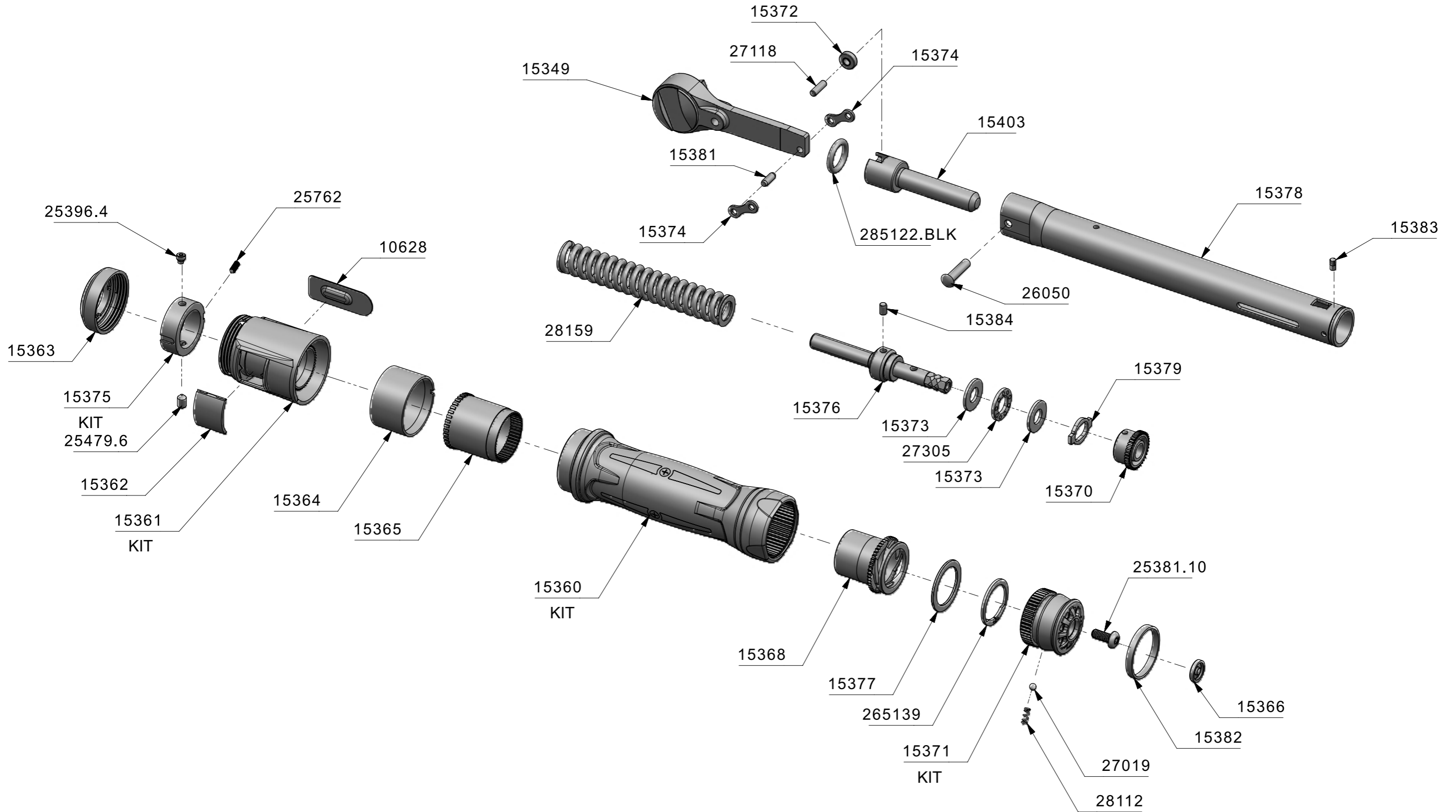


# 15010 - TW MODEL 25 1/4" SQ DR REV RAT



285122.BLK	1	O-RING 10.77 ID X 2.6 SEC NITRILE
28159	1	COMP SPRING MODEL 25 MK2
25479.6	1	M4 X 6 SSS CONE
25762	1	SCS M2.5 X 6 LONG CONE POINT SLOTTED
15383	1	PIN GROOVED 2.5mm DIAx5 LONG
15384	1	CYLINDRICAL ROLLER 3 X 5 NR
28112	1	COMP SPRING FOR TT 20-50 LOCKING KNOB
27019	1	STEEL BALL 3 DIA
15382	1	NOTIFICATION BAND MODEL 25
25381.10	1	BUT.HD M4 x 10 TO ISO 7380
25396.4	1	SSS M4 x 4 DOG POINT - 12.9 TO ISO 4028
15349	1	RATCHET LEVER MODEL 25 REVERSIBLE 1/4"
15361	1	SCALE MECHANISM COVER MODEL 25
10628	1	TIMESTRIP LABEL 12 X 33
15381	1	PIN FOR MODEL 25 CHAIN LINK
15374	2	CHAIN LINK PLATE MODEL 25
27118	1	NEEDLE ROLLER NRA 3x9.8 G5
15372	1	ROLLER MODEL 25
15403	1	MDL 25 SPIGOT TRANSVERSE LINK
26050	1	RIVET SEMI-TUBULAR MODEL 25
15378	1	BODY TUBE PRO 25
265139	1	CIRCLIP HANDLE RETENTION MODEL 25
15377	1	PUSH PLATE MODEL 25
15375	1	THRUST WASHER SIDE LOCKING MODEL 25
15363	1	SCALE MECH COVER CAP MODEL 25
15364	1	SCALE DISPLAY SLEEVE MODEL 25
15365	1	SCALE ROTATING GEAR MODEL 25
15360	1	TWO SHOT HANDLE MODEL 25
15362	1	SCALE LENS MODEL 25
15368	1	CLEARANCE REMOVAL SHAFT MODEL 25
15379	1	END STOP MODEL 25
15373	2	HARDENED WASHER MODEL 25
27305	1	SPECIAL THRUST BEARING FOR TORQUE WRENCHES
15376	1	ADJUSTING SCREW ASSEMBLY MODEL 25
15370	1	STATIONARY LOCKING GEAR MODEL 25
15371	1	LOCKING KNOB MODEL 25
15366	1	END CAP MODEL 25
Part No	Qty	Description

221

140

∅ 33.5

