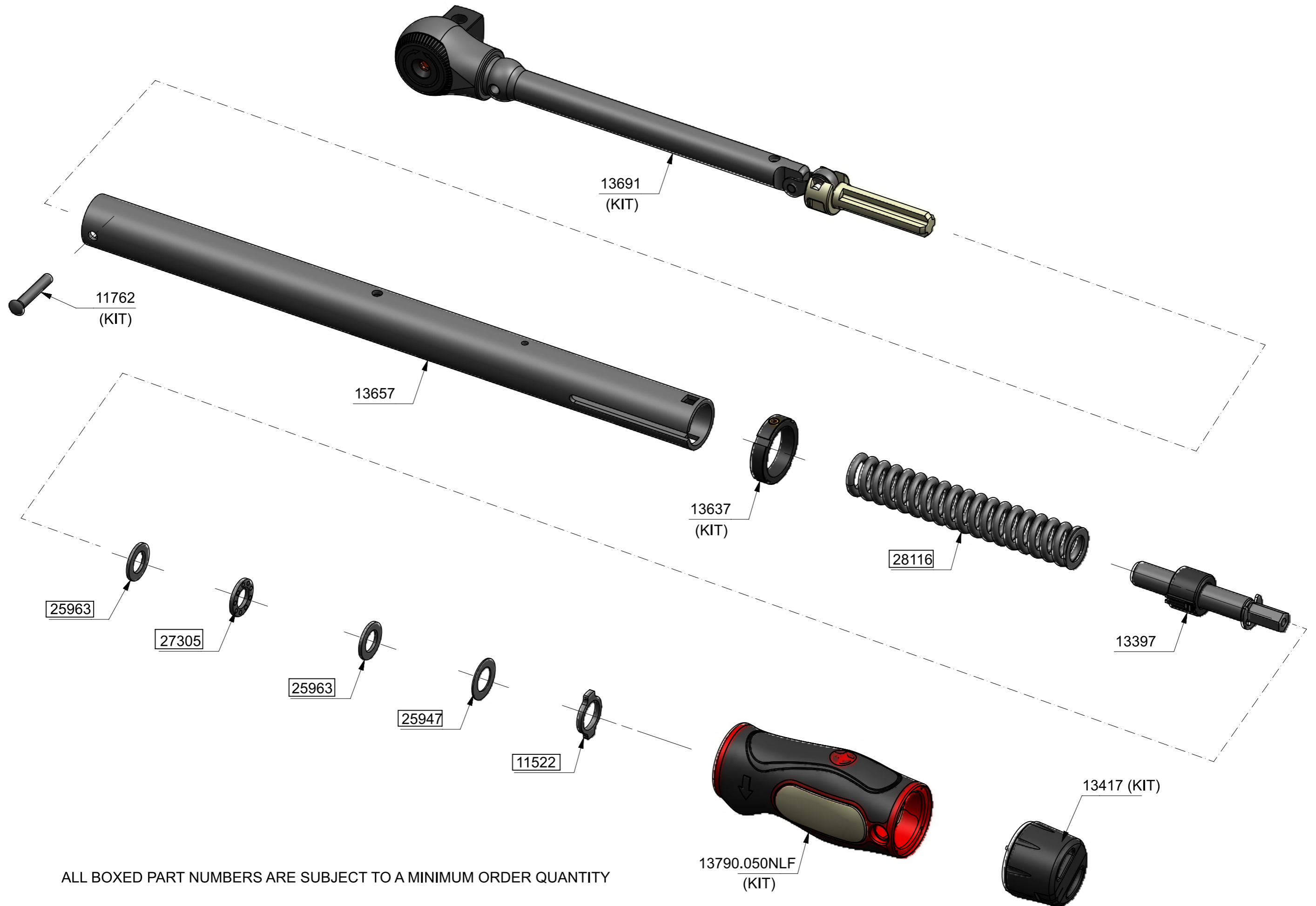


13842 - TW TTi 50 1/2" SQ. DR. 10-50 N.m/lbf.ft - SPARES LISTING



ALL BOXED PART NUMBERS ARE SUBJECT TO A MINIMUM ORDER QUANTITY