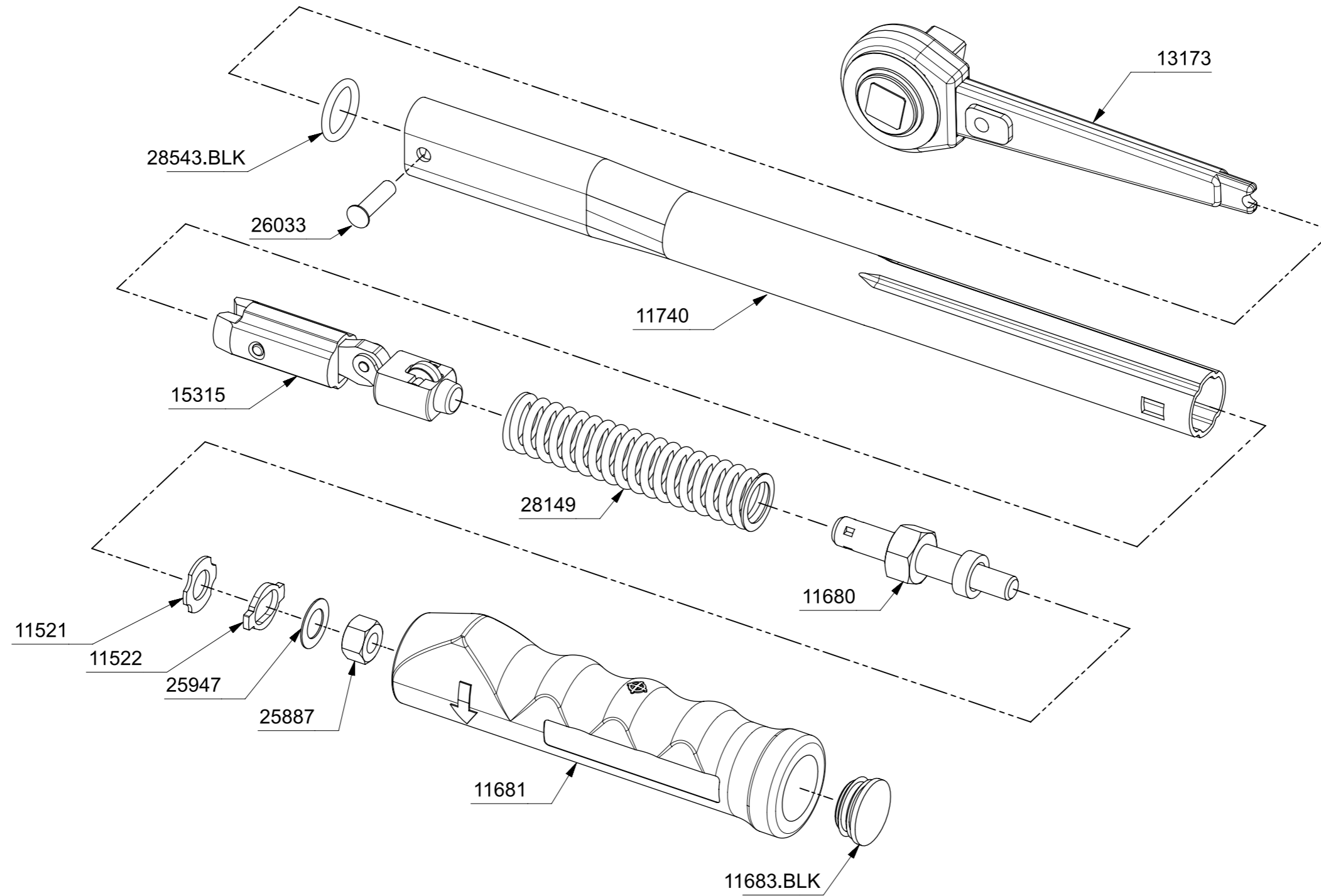
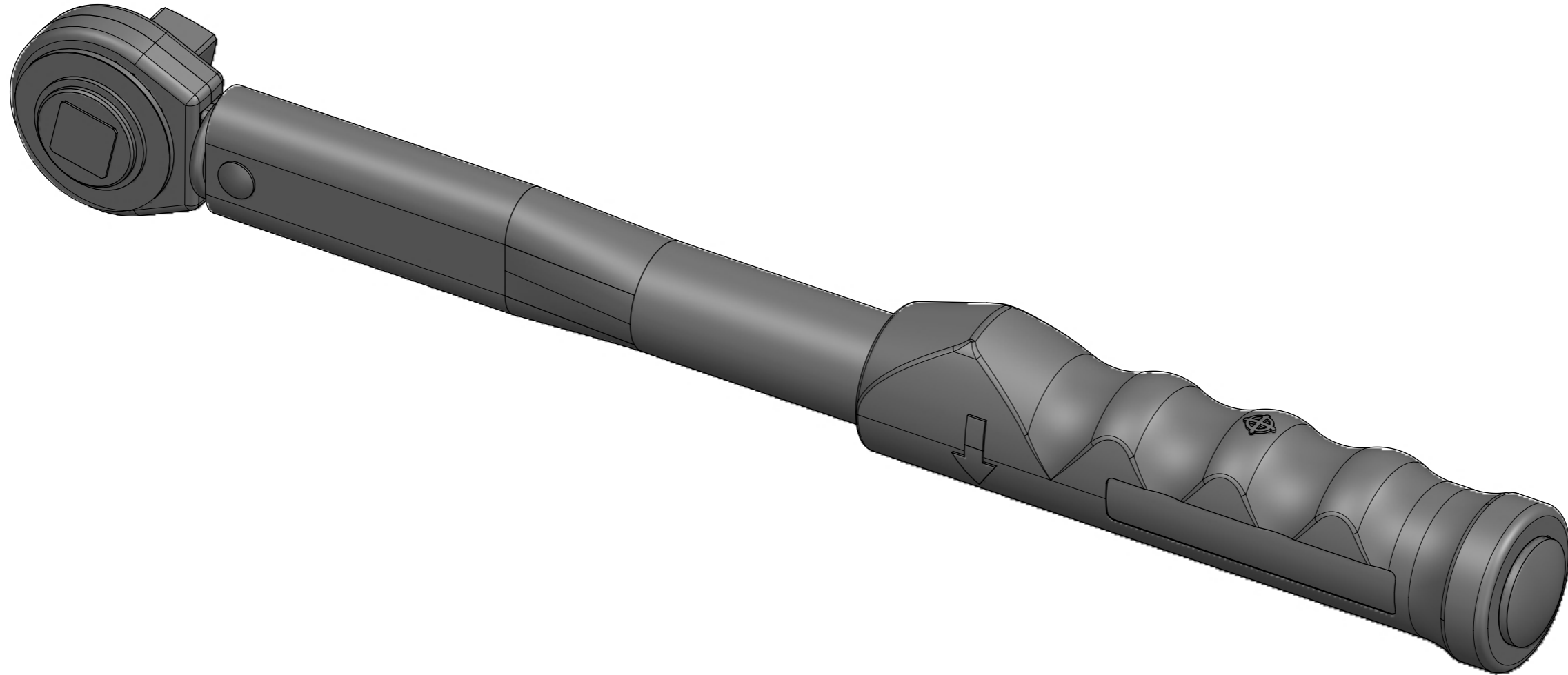


13054 - TW MDL100 P-TYPE 1/2 SQ.DR. N.m





11521	1	SHAPED WASHER
11522	1	END STOP
11680	1	ADJUSTING NUT AND SCREW P TYPE THREADED END.
11681	1	HANDLE P TYPE PRESS ON
11683.BLK	1	END CAP DOMED P TYPE PROF BLACK
11740	1	MDL100 BODY TUBE
13173	1	RATCHET ASSY MDL100 1/2 3-PAWL
15315	1	SECONDARY MOTION ASSEMBLY
25887	1	NUT M8 TO DIN 934 ZINC & CLEAR
25947	1	WASHER .39/.395x.65 x.018 REF SR 126J
26033	1	PIVOT PIN TES 3487
28149	1	MK 2 COMP. SPRING FOR TW MECHANISM
28543.BLK	1	O RING 15.54 ID 2.62 SECT BLACK
Part No	Qty	Description