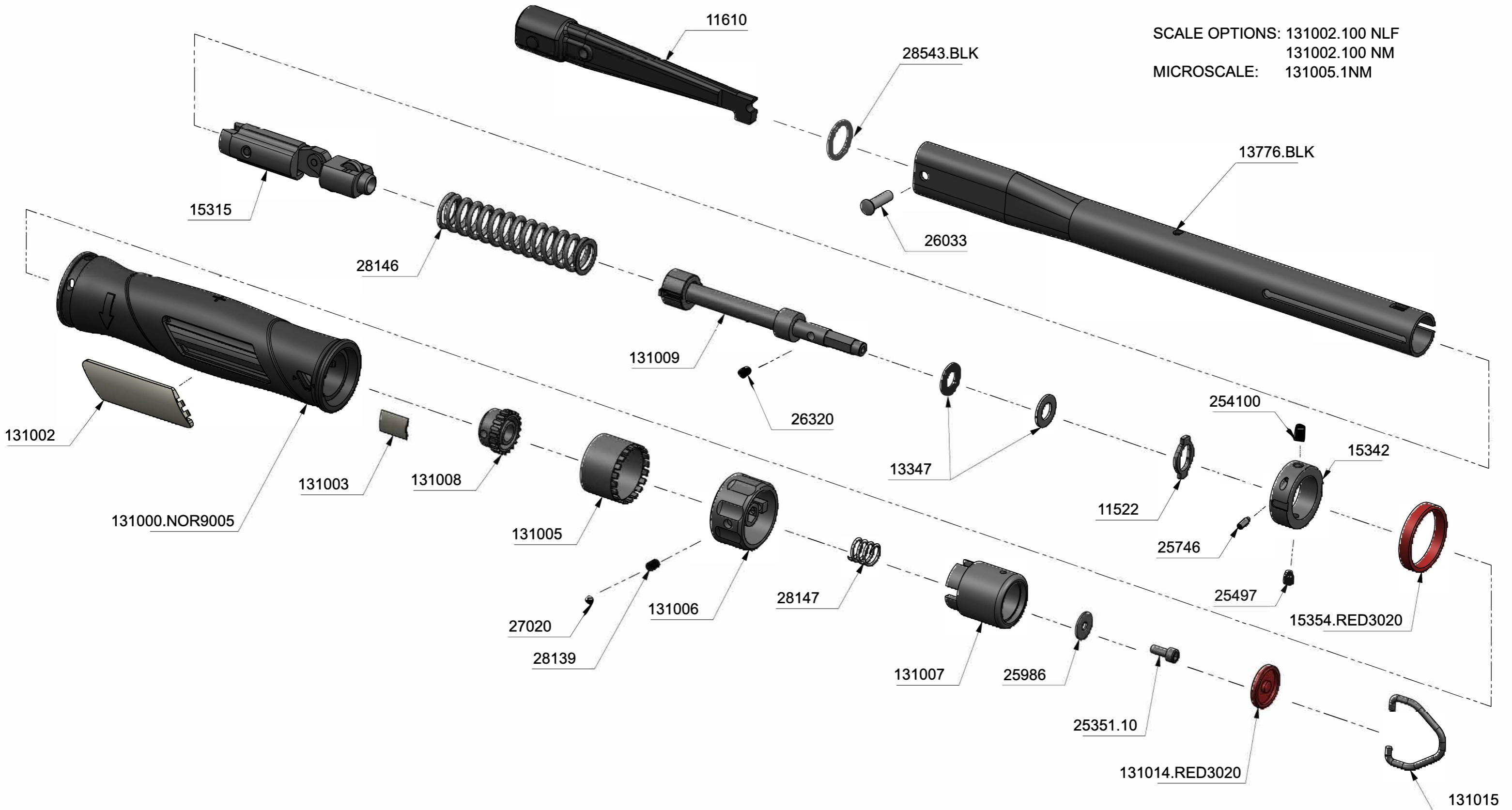
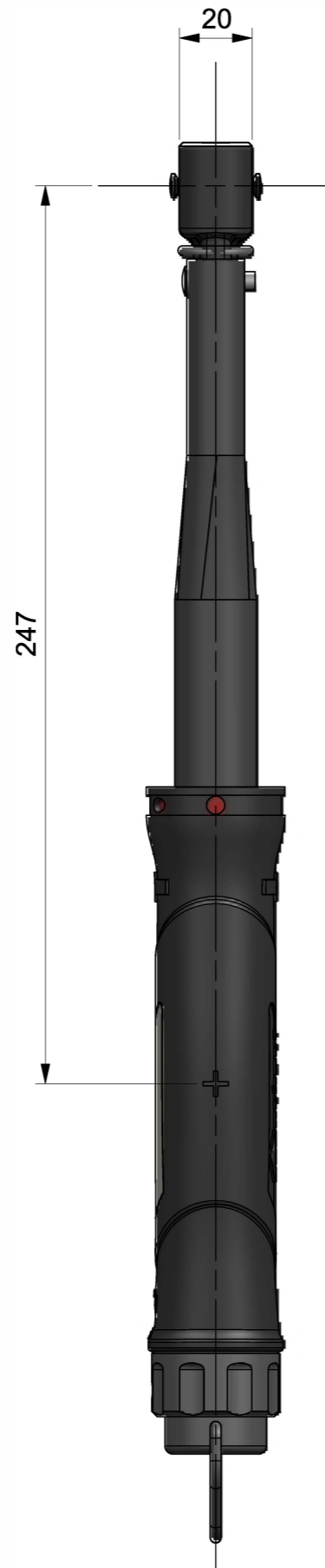
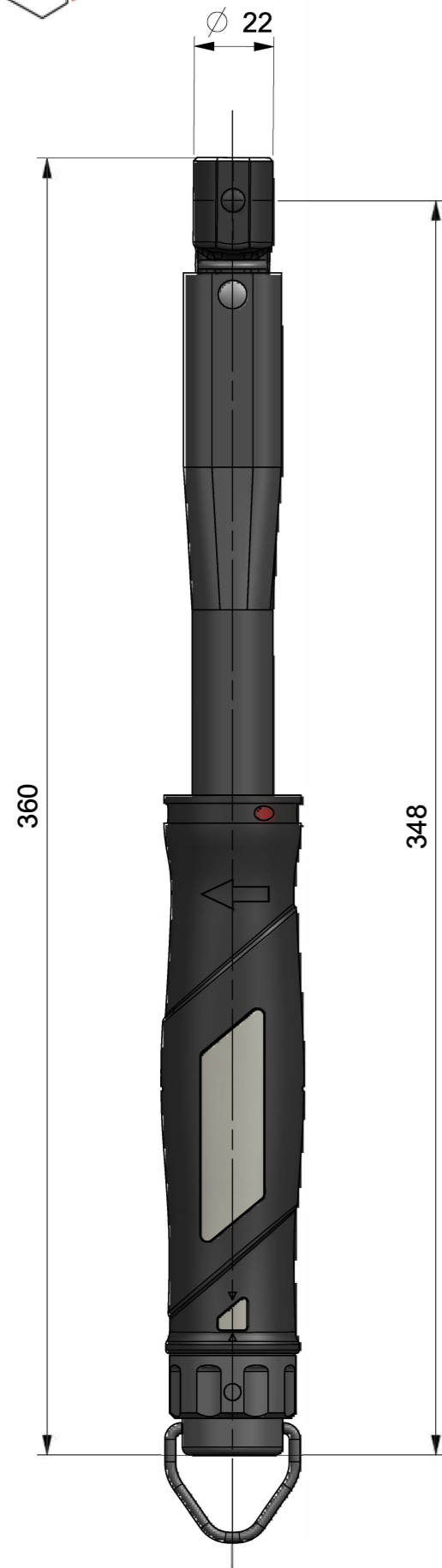


SCALE OPTIONS: 131002.100 NLF  
131002.100 NM  
MICROSCALE: 131005.1NM



# 130123 - NORTORQUE MDL 100 9x12 FEMALE END N.m/lbf.ft



|                |     |  |
|----------------|-----|--|
| 13776.BLK      | 1   | NORTORQUE MODEL 100 BODY TUBE - BLACK METALLIC                 |
| 11610          | 1   | LEVER ARM MDL 100 9x12 FEMALE                                  |
| 26033          | 1   | PIVOT PIN TES 3487   |
| 28543.BLK      | 1   | O RING 15.54 ID 2.62 SECT BLACK                                |
| 15315          | 1   | SECONDARY MOTION ASSEMBLY                                      |
| 28146          | 1   | MAIN COMPRESSION SPRING NORTORQUE                              |
| 131009         | 1   | NORTORQUE/SLIMLINE ADJUSTING SCREW ASSEMBLY - MDL 60, 100, 200 |
| 13347          | 2   | TT HARDENED WASHER   |
| 11522          | 1   | END STOP   |
| 15342          | 1   | THRUST WASHER SIDE LOCKING                                     |
| 15354.RED3020  | 1   | NORTORQUE CALIBRATION HOLE COVER BAND RED RAL3020              |
| 131002         | 1   | MAIN SCALE LENS  |
| 131008         | 1   | STATIONARY GEAR  |
| 131003         | 1   | NORTORQUE MICRO SCALE LENS                                     |
| 131005         | 1   | MICRO GEAR   |
| 28139          | 1   | SPRG/COMP PROFESSIONAL LOCKING KNOB                            |
| 27020          | 1   | STEEL BALL 4 DIA   |
| 131007         | 1   | PUSH PULL LOCKING KNOB   |
| 131006         | 1   | ADJUSTING KNOB   |
| 28147          | 1   | NORTORQUE CLEARANCE REMOVAL SPRING                             |
| 25986          | 1   | WASHER M4X14X0.8 TYPE L ZINC PLATED                            |
| 25351.10       | 1   | SHCS M4 x 10 - 12.9 TO ISO 4762                                |
| 131014.RED3020 | 1   | NORTORQUE/SLIMLINE TW LOCKING KNOB END BUNG - RED RAL 3020     |
| 131015         | 1   | NORTORQUE/SLIMLINE ADJUSTING KNOB HANGER                       |
| 254100         | 1   | SCR SKT GRUB M5 x 8 LONG OVAL                                  |
| 25746          | 1   | M3 DOG POINT GRUB SCREW T6 TORX DRIVEN                         |
| 25497          | 1   | SSS M5X5LG DOG POINT -12.9 TO ISO4028                          |
| 26320          | 1   | PIN HALF GROOVED 4MM DIA X 6 LG MILD STEEL                     |
| 131000.NOR9005 | 1   | NORTORQUE HANDLE - NORBAR BLACK RAL9005                        |
| Part No        | Qty | Description  |